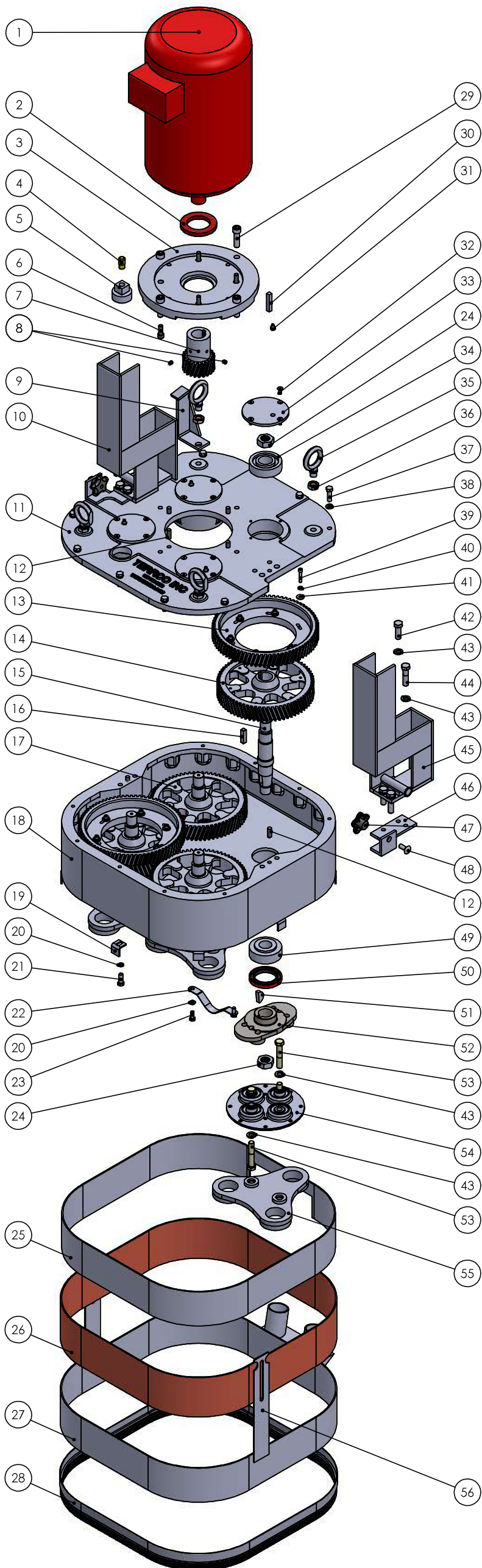


Model 2000 Parts List (Gear Case)



ITEM NO.	PART NUMBER	DESCRIPTION	QTY.
1	FL 124	10HP,3PH,230/460 VOLT,60HZ ELECTRIC MOTOR	1
	FL 115	15HP,3PH,1800RPM,MOTOR	
2	FL 118	MOTOR PLATE SEAL	1
3	FL 012C	MOTOR MOUNTING PLATE	1
4	DS 184	BREATHER CAP	1
5	X-100	1.5" NPT PIPE PLUG,SQ.HD,GALVANIZED	1
6	T2111	SOCKET HEAD CAPSCREW 3/8-16 X 1" LG	4
7	FL 011	22-TOOTH PINION	1
8	T2157	SOCKET HEAD CAPSCREW 5/16-18 X 1/2	2
9	FL 134	TILT STOP	1
10	X-120L	LIFT BRACKET, WEIGHT BASKET - L	1
11	FL 003C	ALUMINUM GEAR CASE COVER,2000	1
12	FD 040	DOWEL PIN 3/8 X 1" LG	6
13	FL 006	DRIVE GEAR	2
14	FL 005R	DRIVEN GEAR - R	2
15	SM 016	HELICAL GEAR SHAFT	4
16	SM 072	HELICAL GEAR KEY	4
17	FL 005L	DRIVEN GEAR - L	2
18	FL 001C	ALUMINUM GEAR CASE,2000	1
19	SM 028	DRIVING SPIDER GUARD BRACKET	9
20	T1007	LOCK WASHER	11
21	T2013	3/8-16 X 1" LG HEX HEAD CAPSCREW	9
22	SM 172	HOSE CLAMP	1
23	T2130	5/16-18 X 3/4" LG HEX HEAD CAPSCREW	2
24	T2008	LOCK NUT	8
25	FL 122	STOP NUT 1"-14 JAM	1
26	FL 030	DUST GUARD SEAL FOR MODEL 2000	1
27	FL 123	ADJUSTABLE SPLASH GUARD, STAINLESS	1
28	LW 078(2000)	BRUSH STRIP MATERIAL FOR DRY GUARDS	1
29	T3048	1/2-13 X 1-3/4" LG SOCKET HD CAPSCREW	4
30	FE 114	MOTOR KEY	1
31	000170	GREASE FITTING 1/8" NPT STRAIGHT	4
32	T3011	1/4-28 X 5/8 LG SOCKET FLAT HEAD	16
33	FE 027	BEARING CAP	4
34	SM 043, SM 037	UPPER BEARING CONE & CUP	4
35	X-16	LIFTING RING	4
36	T3050	5/8-11 HEX JAM NUT	4
37	T1025	3/8-16 X 1-1/4 LG HEX HEAD CAPSCREW	9
38	T1022	3/8 MEDIUM LOCKWASHER	9
39	T1089	1/4-28 X 1-1/4 LG SOCKET HEAD CAPSCREW	12
40	T1030	LOCK WASHER, 1/4"	12
41	T3015	1/4" USS WROUGHT WASHER	12
42	T1009	1/2-13 X 1-1/2 LG HEX HEAD CAPSCREW	4
43	T1012	1/2" LOCK WASHER MEDIUM	24
44	T1024	CAPSCREW	4
45	X-120R	LIFT BRACKET, WEIGHT BASKET - R	1
46	X-118R	GUARD BRACKET - L	1
47	SM 537	HAND KNOB	2
48	T2029	CARRIAGE BOLT 3/8-16 X 1" LG	2
49	SM 036, SM 037	LOWER BEARING CONE & CUP	4
50	SM 169	GEAR SHAFT GREASE SEAL	4
51	T2012	WOODRUFF KEY	4
52	SM 500	DRIVING SPIDER	4
53	SM 171	MORFLEX COUPLING BOLT,ADV. J27B	16
54	SM 088	COUPLING	4
55	FL 004C	PLUG STONE HOLDER	4
	FL 130	SPEED SHIFT PLATE FOR MODEL 2000	
	FL 121	TOOL PLATE,602/702 CPLG.	
56	FL 133	GUARD STRAP	2

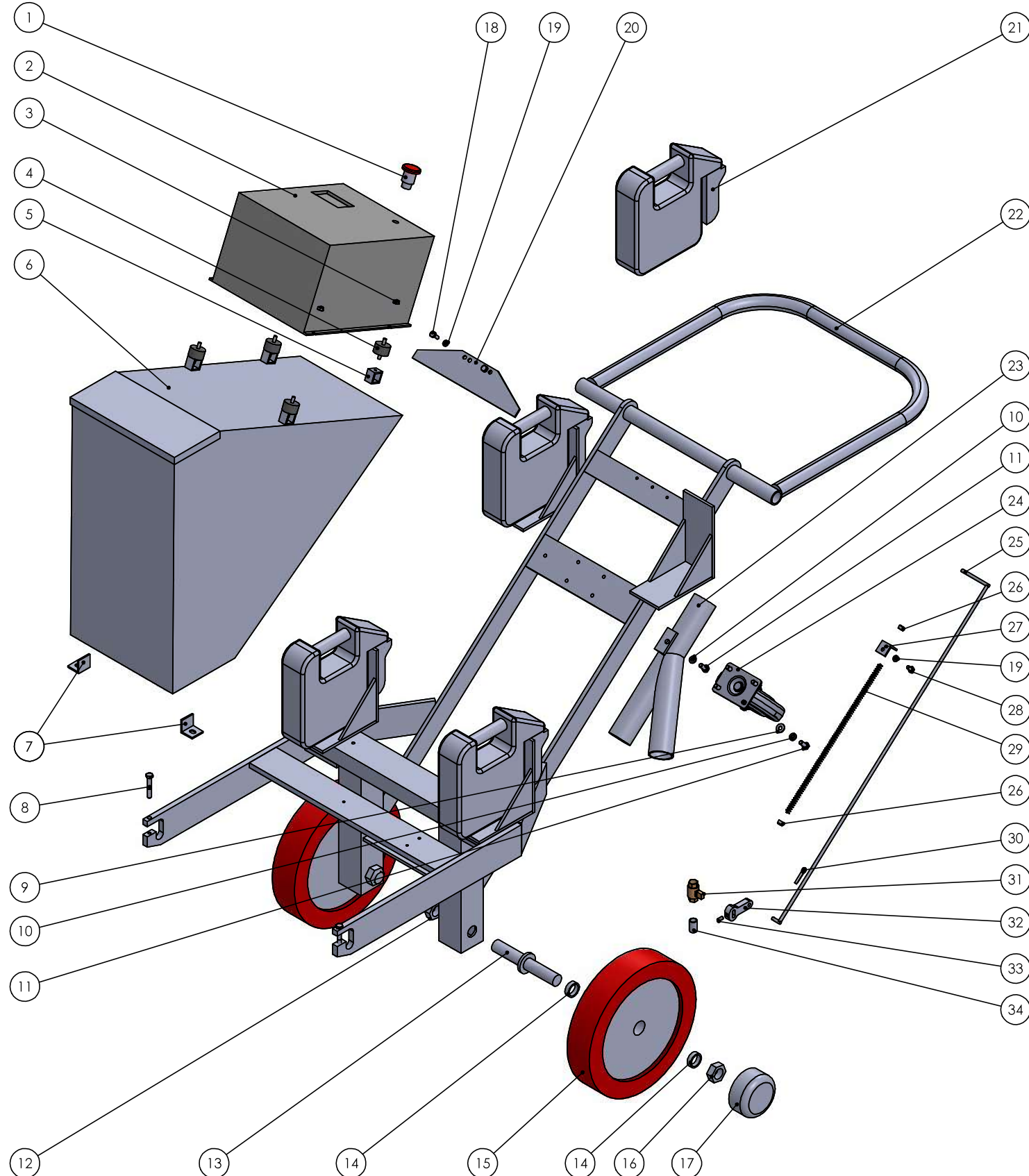


Terrco® Inc.
 222 1st Avenue NW • Watertown, SD 57201
 Phone: (605) 882-3888 • Fax: (605) 882-0778
 Website: www.terrco.com • Email: info@terrco.com





Model 2000 Parts List (Handlebar Assembly)



ITEM NO.	PART NUMBER	DESCRIPTION	QTY.
1	LW 076	EMERGENCY STOP SWITCH ASSY	1
2	FE 491	YASKAWA 230 VOLT, 56 AMP	1
	FE 493	YASKAWA 460 VOLT, 38 AMP, 25 HP	
3	T2003	HEX HEAD NUT 1/4-20	4
4	FE 251	VIBRATION MOUNT	4
5	X-84	MOUNTING CLIP, SWITCHBOX	4
6	FE 031B-SS	STAINLESS STEEL WATER TANK, 2000	1
7	FE 133-SS	WATER TANK CLIP-STAINLESS STEEL	2
8	Z02-1330	Capscrew	2
9	T3015	1/4" USS WROUGHT WASHER	4
10	T1007	LOCK WASHER	5
11	T2130	5/16-18 X 3/4" LG HEX HEAD CAPSCREW	5
12	T2007	1"-14 JAM NUT	2
13	FE 020B	SHAFT WHEEL	2
14	T2141	WHEEL BEARING SPACER	4
15	DS 007	WHEEL	2
16	T2008	LOCK NUT	2
17	DS 005	WHEEL CAP	2
18	T1031	1/4-20 X 3/4 LG HEX HEAD CAPSCREW	2
19	T1030	LOCK WASHER	3
20	FE 074	WATER TANK BRACE	1
21	FE 246	POCKET WEIGHT,CASTING,42lbs.	4
22	FLN 009A	2000 HANDLE ASSEMBLY-NEW STYLE	1
23	SM 457	2" Y SECTION - DRY	1
24	HB 088A	CASTER WHEEL/2000	1
25	FL 114	TANK ROD	1
26	SM 186	HANDLE SPACER COLLAR	2
27	FD 043	WATER GUIDE BRACKET	1
28	T2122	1/4-20 X 1/2 LG HEX HEAD CAPSCREW	1
29	SM 182	HANDLE SPRING,COMPRESSION	1
30	T2082	COTTER PIN, 1/4 X 2 1/2	1
31	SM 174	WATER TANK VALVE	1
32	SM 170X	LEVER,WATER VALVE FOR 2000	1
33	T3007	1/4-20 X 1/2 LG SOCKET SET SCREW	1
34	SM 175	VALVE STEM	1

Terrco[®] Inc.

222 1st Avenue NW • Watertown, SD 57201
 Phone: (605) 882-3888 • Fax: (605) 882-0778
 Website: www.terrco.com • Email: info@terrco.com